

Gain Space Promote Sales



Visual Sales Promotions

With the UC-HWTT-M you can significantly increase your turnover through targeted sales promotions for your food product range. Whether it's gourmet week, a salad dressing tip, or promotions for unusual foods from around the world, the UC-HWTT-M stirs up your customers' appetite and puts your offers in the forefront of their minds with its attractive 12.1" customer display.



Professional Advice

Whether you want to provide information about hygiene, keep staff informed about new regulatory policies, or provide expert advice through recipe tips and information about ingredients or origin, the touchscreen is the perfect platform for innovative employee training and highlighting valuable tips for sales discussions.



Ergonomic Operation

Fast, interactive, and extremely easy to operate: the touchscreen interface offers exceptional ergonomics and comfort. It allows your employees to work without strain, and ensures fast, error-free weighing and operating processes, even at peak times.



Wide Range of Printer Units

The PC hanging scale UC-HWTT-M is available with optional printer units for tickets and labels. The optional 3" label printer is perfect for printing certificates of origin and practical preparation tips.



UC-HWTT-M

High-end PC hanging scale with large customer display screen

The PC hanging scale UC-HWTT-M provides a brand new option for advertising products at sales stands where limited space is available for presenting fresh produce. The UC-HWTT-M combines the advantages of a space-saving hanging scale with the benefits of a large customer display screen for presenting eye-catching sales promotions at the service counter. The robust stainless steel housing consistently protects the scale's electronics and printer unit against spills, acids, salts, and fats, meaning the UC-HWTT-M is perfect for use with moist or juicy products such as fish, seafood, fruit, and vegetables.

- **Compact hanging design – more space for presenting products**
- **Robust and hard-wearing – ideal for moist and juicy products**
- **Large customer display – perfect for visual sales promotions**
- **High-performance processor – for the most demanding applications at the point of sale**

For the Most Stringent Demands

The UC Evo Max Line is the METTLER TOLEDO PC scale family for the most stringent demands. The UC Evo Max Line can be used for a wide variety of fresh food ranges and also supports CPU-intensive applications, such as multi-media sales promotions at the point of sale. The UC Evo Max Line impresses with its exceptional network capability and capacity to support external applications.

Technical Data

UC-HWTT-M

Touchscreen

12.1" (30.7 cm) touch-sensitive screen

- Touchscreen with LED backlight technology
- Screen resolution: 800 x 600 pixels

Customer Screen

12.1" (30.7 cm) screen

- Screen with LED backlight technology
- Screen resolution: 800 x 600 pixels

Printer Options

2" (54 mm) ticket printer

2" (54 mm) linerless printer, optional

3" (72 mm) label printer, optional

Printing speed: up to 125 millimeters/second

Print resolution: 8 dots/millimeter (200 dpi)

Logos printed on ticket or label

Printing of upper and lower case characters

Choice of 101 print fonts

Customizable labels

Data Storage

250 GB hard drive

SSD (optional)

2 GB RAM

4 GB RAM (optional)

Interfaces and Protocols

TCP/IP Ethernet interface (10/100)

1 x RS232 serial interface

1 x RJ11 interface for controlling the cash register drawer

2 x USB 2.0 connections

Integrated wireless solution for wireless data transmission according to IEEE 802.11b/g/n standard (optional)

Remote Maintenance and Data Communication

InTouchSM Remote Services

FTP (File Transfer Protocol)

VNC (Virtual Network Computing)

Operating System

Windows Embedded Standard 7

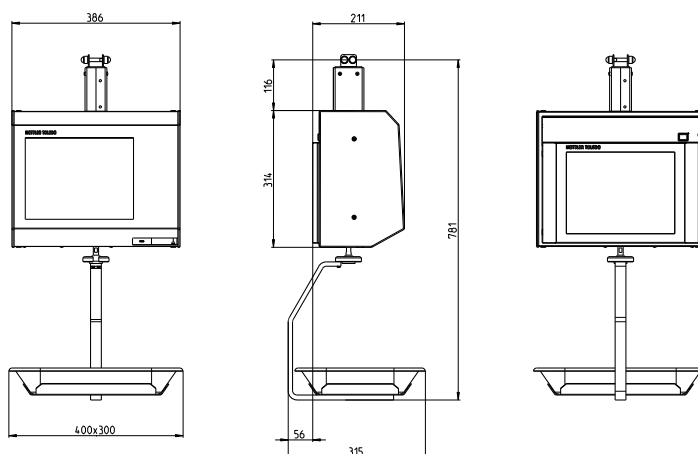
Linux (optional)

Housing Colors

Silver

Weighing range*	6 kg	15 kg	6 kg/15 kg
Graduation	2 g	5 g	2 g/5 g
Minimum capacity**	40 g	100 g	40 g

* EC: Printout under minimum capacity possible, but not with price marking.
Tare adjustment across the entire weighing range, automatic zeroing.



Further Information

For additional details on the features of the UC3 software for METTLER TOLEDO PC-based scales, as well as the optional METTLER TOLEDO applications, please refer to the relevant application sheets.



ISO 9001 quality management certification
ISO 14001 environmental management certification
Internet: <http://www.mt.com>
Worldwide service

Subject to technical changes.
© 09/2011 Mettler-Toledo AG
Printed in Germany 22022902
Global MarCom Switzerland

www.mt.com/retail

Further information

